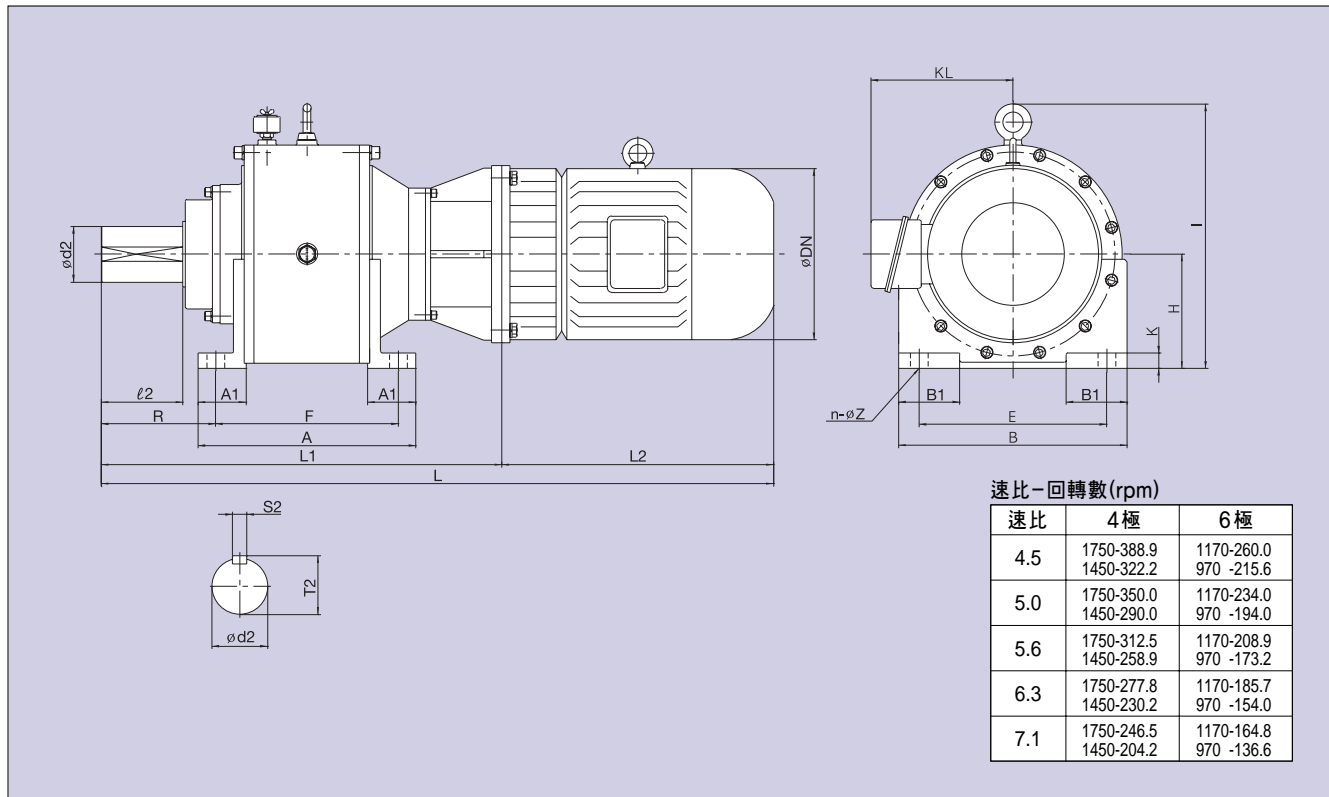
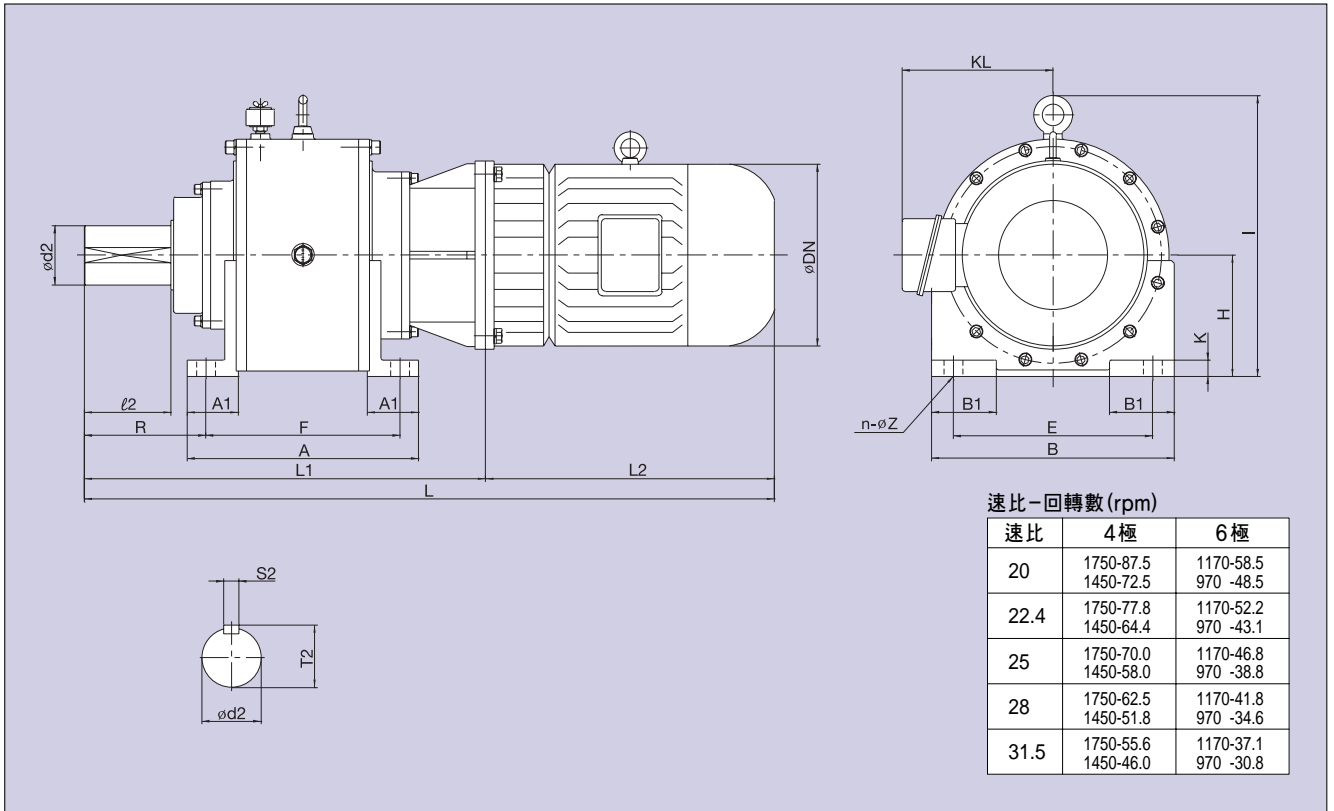


# NTS-PP Dimensions of Foot Mounting



Unit : mm

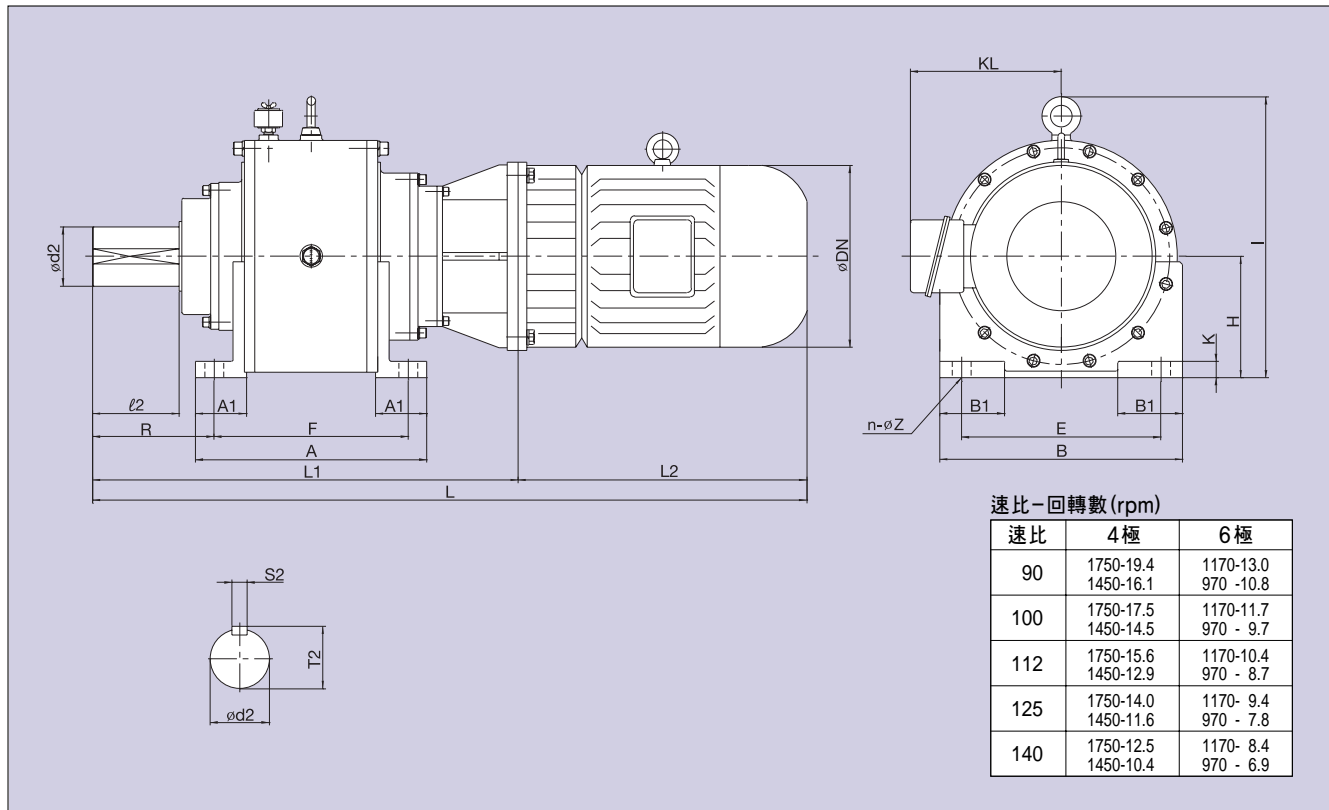
Output(kw)		Model	Motor	H	I	L1	L2	L	R	A	F	A1	B	E	B1	K	n	ø	DM	DN	KL	K	d2	ℓ2	S2	T2	Weight kg Motor 4P	Oil Qty ℓ
4P	6P																											
<b>3.7</b>	<b>2.2</b>	NTS-PP015M	112	150	330	370	355	725	140	210	170	50	290	240	8	16	4	19	250	226	171	27	40	80	12	43	114	4
<b>5.5</b>	<b>3.7</b>	NTS-PP015M	132S	150	330	390	405	795	140	210	170	50	290	240	8	16	4	19	300	284	121	35	40	80	12	43	143	4
<b>5.5</b>	<b>3.7</b>	NTS-PP016M	132S	150	330	395	405	800	145	210	170	50	290	240	8	16	4	19	300	284	121	35	40	80	14	53.5	151	4
<b>7.5</b>	<b>5.5</b>	NTS-PP015M	132	150	330	390	445	835	140	210	170	50	290	240	8	16	4	19	300	284	211	35	40	80	12	43	157	4
<b>7.5</b>	<b>5.5</b>	NTS-PP016M	132	150	330	395	445	840	145	210	170	50	290	240	8	16	4	19	300	284	121	35	50	80	14	53.5	165	4
<b>7.5</b>	<b>5.5</b>	NTS-PP021M	132	160	360	445	445	890	160	270	220	70	320	260	8	16	4	19	300	284	121	35	60	110	18	64	182	5
<b>11</b>	<b>7.5</b>	NTS-PP015M	160	150	330	420	493	913	140	210	170	50	290	240	8	16	4	19	350	324	290	52	40	80	12	43	186	4
<b>11</b>	<b>7.5</b>	NTS-PP016M	160	150	330	425	493	918	145	210	170	50	290	240	8	16	4	19	350	324	290	52	50	80	14	53.5	194	4
<b>11</b>	<b>7.5</b>	NTS-PP021M	160	160	360	475	493	968	160	270	220	70	320	260	100	20	4	24	350	324	290	52	60	110	18	64	211	5
<b>11</b>	<b>7.5</b>	NTS-PP022M	160	160	360	520	493	1013	175	300	250	70	320	260	100	20	4	24	350	324	290	52	70	120	20	74.5	226	6
<b>15</b>	<b>11</b>	NTS-PP015M	160L	150	330	420	533	953	140	210	170	50	290	240	8	16	4	19	350	324	290	52	40	80	12	43	208	4
<b>15</b>	<b>11</b>	NTS-PP016M	160L	150	330	425	533	958	145	210	170	50	290	240	8	16	4	19	350	324	290	52	50	80	14	53.5	216	4
<b>15</b>	<b>11</b>	NTS-PP021M	160L	160	360	475	533	1008	160	270	220	70	320	260	100	20	4	24	350	324	290	52	60	110	18	64	233	5
<b>15</b>	<b>11</b>	NTS-PP022M	160L	160	360	520	533	1053	175	300	250	70	320	260	100	20	4	24	350	324	290	52	70	120	20	74.5	248	6
<b>18.5/22</b>	<b>15</b>	NTS-PP015M	180	150	330	420	566.5	966.5	140	210	170	50	290	240	8	16	4	19	400	365	310	91	40	80	12	43	240/250	4
<b>18.5/22</b>	<b>15</b>	NTS-PP016M	180	150	330	425	566.5	991.5	145	210	170	50	290	240	8	16	4	19	400	365	310	91	50	80	14	53.5	248/260	4
<b>18.5/22</b>	<b>15</b>	NTS-PP021M	180	160	360	475	566.5	1041.5	160	270	220	70	320	260	100	20	4	24	400	365	310	91	60	110	18	64	265/277	5
<b>18.5/22</b>	<b>15</b>	NTS-PP022M	180	160	360	520	566.5	1086.5	175	300	250	70	320	260	100	20	4	24	400	365	310	91	70	120	20	74.5	280/292	6
<b>18.5/22</b>	<b>15</b>	NTS-PP023M	180	170	390	560	566.5	1124.5	190	340	280	80	350	280	100	24	4	28	400	365	310	91	80	135	22	85	312/324	8.5
<b>18.5/22</b>	<b>15</b>	NTS-PP024M	180	180	410	605	566.5	1171.5	200	375	315	80	350	280	100	24	4	28	400	365	310	91	85	145	22	90	335/347	10
<b>30</b>	<b>18.5/22</b>	NTS-PP015M	180L	150	330	420	604.5	1024.5	140	210	170	50	290	240	8	16	4	19	400	398	325	91	40	80	12	43	322	4
<b>30</b>	<b>18.5/22</b>	NTS-PP016M	180L	150	330	425	604.5	1029.5	145	210	170	50	290	240	8	16	4	19	400	398	325	91	50	80	14	53.5	330	4
<b>30</b>	<b>18.5/22</b>	NTS-PP021M	180L	160	360	475	604.5	1079.5	160	270	220	70	320	260	100	20	4	24	400	398	325	91	60	110	18	64	347	5
<b>30</b>	<b>18.5/22</b>	NTS-PP022M	180L	160	360	520	604.5	1124.5	175	300	250	70	320	260	100	20	4	24	400	398	325	91	70	120	20	74.5	362	6
<b>30</b>	<b>18.5/22</b>	NTS-PP023M	180L	170	390	560	604.5	1164.5	190	340	280	80	350	280	100	24	4	28	400	398	325	91	80	135	22	85	394	8.5
<b>30</b>	<b>18.5/22</b>	NTS-PP024M	180L	180	410	605	604.5	1209.5	200	375	315	80	350	280	100	24	4	28	400	398	325	91	85	145	22	90	417	10
<b>37</b>	<b>30</b>	NTS-PP015M	200L	150	330	420	662.5	1082.5	140	210	170	50	290	240	8	16	4	19	450	442	350	91	40	80	12	43	403	4
<b>37</b>	<b>30</b>	NTS-PP016M	200L	150	330	425	662.5	1087.5	145	210	170	50	290	240	8	16	4	19	450	442	350	91	50	80	14	53.5	411	4
<b>37</b>	<b>30</b>	NTS-PP021M	200L	160	360	475	662.5	1137.5	160	270	220	70	320	260	100	20	4	24	450	442	350	91	60	110	18	64	428	5
<b>37</b>	<b>30</b>	NTS-PP022M	200L	160	360	520	662.5	1182.5	175	300	250	70	320	260	100	20	4	24	450	442	350	91	70	120	20	74.5	443	6
<b>37</b>	<b>30</b>	NTS-PP023M	200L	170	390	560	662.5	1222.5	190	340	280	80	350	280	100	24	4	28	450	442	350	91	80	135	22	85	475	8.5
<b>37</b>	<b>30</b>	NTS-PP024M	200L	180	410	605	662.5	1267.5	200	375	315	80	350	280	100	24	4	28	450	442	350	91	85	145	22	90	498	10



Unit : mm

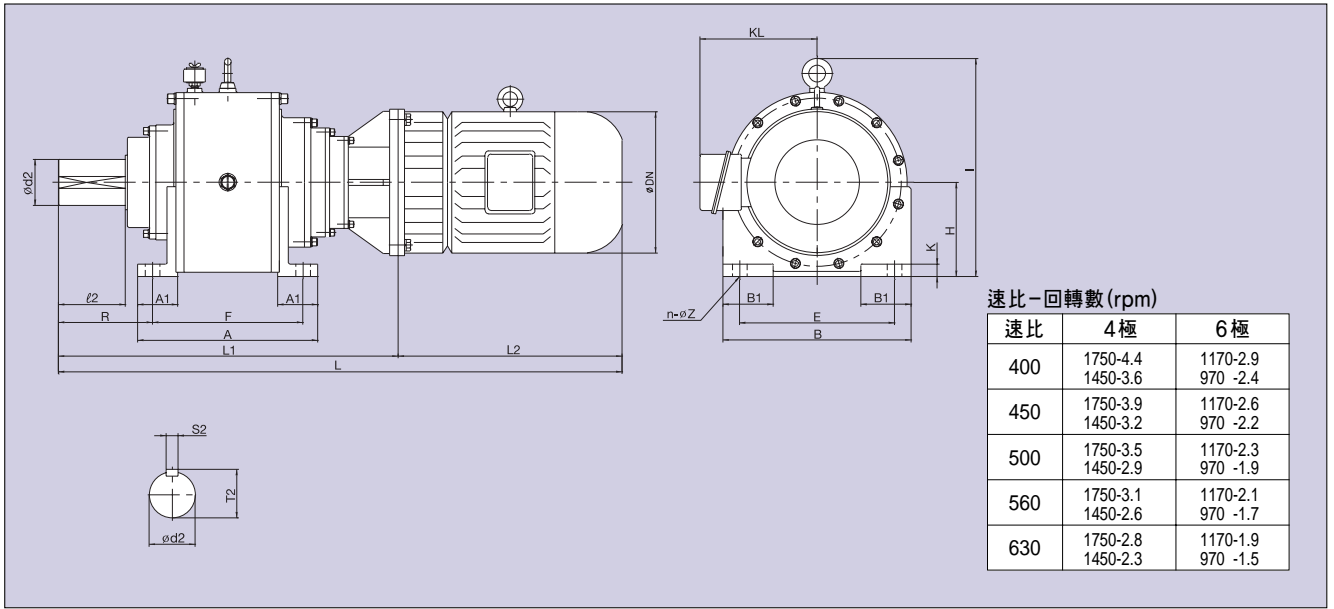
Output(kw)		Model	Motor	H	I	L1	L2	L	R	A	F	A1	B	E	B1	K	n	ø	DM	DN	KL	K	d2	ℓ2	S2	T2	Weight kg Motor 4P	Oil Qty ℓ
4P	6P																											
3.7	2.2	NTD-PP016M	112M	150	330	415	355	770	145	250	210	50	290	240	80	16	4	19	250	226	171	27	40	80	14	53.5	133	4.6
3.7	2.2	NTD-PP021M	112M	160	360	465	355	820	160	270	220	70	320	260	100	20	4	24	400	226	171	27	60	110	18	64	143	6.0
5.5	3.7	NTD-PP016M	132S	150	330	435	405	840	145	250	210	50	290	240	80	16	4	19	300	284	211	35	50	80	14	53.5	162	4.6
5.5	3.7	NTD-PP021M	132S	160	360	485	405	890	160	270	220	70	320	260	100	20	4	24	300	284	211	35	60	110	18	64	172	6.0
5.5	3.7	NTD-PP022M	132S	160	360	540	405	945	175	300	250	70	320	260	100	20	4	24	300	284	211	35	70	120	20	74.5	193	7.0
7.5	5.5	NTD-PP016M	132M	150	330	435	445	880	145	250	210	50	290	240	80	16	4	19	300	284	211	35	50	80	14	53.5	179	4.6
7.5	5.5	NTD-PP021M	132M	160	360	485	445	930	160	270	220	70	320	260	100	20	4	24	300	284	211	35	60	110	18	64	189	6.0
7.5	5.5	NTD-PP022M	132M	160	360	540	445	985	175	300	250	70	320	260	100	20	4	24	300	284	211	35	70	120	20	74.5	210	7.0
7.5	5.5	NTD-PP023M	132M	170	390	575	445	1020	190	340	280	80	350	280	100	24	4	28	300	284	211	35	80	135	22	85	234	9.0
11	7.5	NTD-PP016M	160M	150	330	465	493	958	145	250	210	50	290	240	80	16	4	19	350	324	290	52	50	80	14	53.5	208	4.6
11	7.5	NTD-PP021M	160M	160	360	515	493	1008	160	270	220	70	320	260	100	20	4	24	350	324	290	52	60	110	18	64	218	6.0
11	7.5	NTD-PP022M	160M	160	360	570	493	1063	175	300	250	70	320	260	100	20	4	24	350	324	290	52	70	120	20	74.5	239	7.0
11	7.5	NTD-PP023M	160M	170	390	605	493	1098	190	340	280	80	350	280	100	24	4	28	350	324	290	52	80	135	22	85	263	9.0
11	7.5	NTD-PP024M	160M	180	410	665	493	1158	200	375	315	80	350	280	100	24	4	28	350	324	290	52	85	145	22	90	292	10.8
11	7.5	NTD-PP028M	160M	200	455	700	493	1158	200	410	340	95	400	320	115	24	4	35	350	324	290	52	95	160	25	100	337	12.6
15	11	NTD-PP021M	160L	160	360	515	533	948	160	270	220	70	320	260	100	20	4	24	350	324	290	52	60	110	18	64	240	6.0
15	11	NTD-PP022M	160L	160	360	570	533	1103	175	300	250	70	320	260	100	20	4	24	350	324	290	52	70	120	20	74.5	262	7.0
15	11	NTD-PP023M	160L	170	390	605	533	1138	190	340	280	80	350	280	100	24	4	28	350	324	290	52	80	135	22	85	285	9.0
15	11	NTD-PP024M	160L	180	410	665	533	1198	200	375	315	80	350	280	100	24	4	28	350	324	290	52	85	145	22	90	314	10.8
15	11	NTD-PP028M	160L	200	455	700	533	1233	220	410	340	95	400	320	115	30	4	35	350	324	290	52	95	160	25	100	359	12.6
18.5/22	15	NTD-PP022M	180M	160	360	570	566.5	1136.5	175	300	250	70	320	260	100	20	4	24	400	365	310	91	70	120	20	74.5	296/306	7.0
18.5/22	15	NTD-PP023M	180M	170	390	605	566.5	1171.5	190	340	280	80	350	280	100	24	4	28	400	365	310	91	80	135	22	85	320/334	9.0
18.5/22	15	NTD-PP024M	180M	180	410	665	566.5	1231.5	200	375	315	80	350	280	100	24	4	28	400	365	310	91	85	145	22	90	349/362	10.8
18.5/22	15	NTD-PP028M	180M	200	455	700	566.5	1266.5	220	410	340	95	400	320	115	30	4	35	400	365	310	91	95	160	25	100	394/406	12.6
18.5/22	15	NTD-PP032M	180M	225	505	760	566.5	1326.5	250	430	360	95	450	370	120	30	4	35	400	365	310	91	10	185	28	116	485/497	18.2
30	18.5/22	NTD-PP023M	180L	170	390	605	604.5	1209.5	190	340	280	80	350	280	100	24	4	28	400	398	325	91	80	135	22	85	402	9.0
30	18.5/22	NTD-PP024M	180L	180	410	665	604.5	1269.5	200	375	315	80	350	280	100	24	4	28	400	398	325	91	85	145	22	90	431	10.8
30	18.5/22	NTD-PP028M	180L	200	455	700	604.5	1304.5	220	410	340	95	400	320	115	30	4	35	400	398	325	91	95	160	25	100	476	12.6
30	18.5/22	NTD-PP032M	180L	225	505	760	604.5	1364.5	250	430	360	95	450	370	120	30	4	35	400	398	325	91	10	185	28	116	567	18.2
30	18.5/22	NTD-PP036M	180L	250	560	830	604.5	1434.5	265	480	400	10	500	410	130	36	4	42	400	398	325	91	30	200	32	137	650	22.2
37	30	NTD-PP024M	200L	180	410	665	662.5	1327.5	200	375	315	80	350	280	100	24	4	28	450	442	350	91	85	145	22	90	511	10.8
37	30	NTD-PP028M	200L	200	455	700	662.5	1362.5	220	410	340	95	400	320	115	30	4	35	450	442	350	91	95	160	25	100	556	12.6
37	30	NTD-PP032M	200L	225	505	760	662.5	1422.5	250	430	360	95	450	370	120	30	4	35	450	442	350	91	10	185	28	116	647	18.2
37	30	NTD-PP036M	200L	250	560	830	662.5	1492.5	265	480	400	10	500	410	130	36	4	42	450	442	350	91	30	200	32	137	730	22.2

# NTT-PP Dimensions of Foot Mounting



Unit : mm

Output(kw)		Model	Motor	H	I	L1	L2	L	R	A	F	A1	B	E	B1	K	n	φ	DM	DN	KL	K	d2	ℓ2	S2	T2	Weight kg Motor 4P	Oil Qty ℓ
4P	6P																											
1.5	0.75	NTT-PP023M	90L	170	390	585	227	862	190	340	280	80	350	280	100	24	4	28	200	200	155	22	80	135	22	85	179	9.4
2.2	1.5	NTT-PP023M	100L	170	390	595	306	901	190	340	280	80	350	280	100	24	4	28	250	200	215	27	80	135	22	85	188	9.4
2.2	1.5	NTT-PP024M	100L	170	410	640	306	950	200	375	315	80	350	280	100	24	4	28	250	200	215	27	85	145	22	90	209	11
3.7	2.2	NTT-PP023M	112M	170	390	595	355	950	190	340	280	80	350	280	100	24	4	28	250	226	171	27	80	135	22	85	200	9.4
3.7	2.2	NTT-PP024M	112M	170	410	640	355	995	200	375	315	80	350	280	100	24	4	28	250	226	171	27	85	145	22	90	220	11
3.7	2.2	NTT-PP028M	112M	200	455	700	355	1055	220	410	340	90	400	320	115	30	4	35	250	226	171	27	95	160	25	100	275	13.6
5.5	3.7	NTT-PP023M	132S	170	390	615	405	1020	190	340	280	80	350	280	100	24	4	28	300	284	211	35	80	135	22	85	227	9.4
5.5	3.7	NTT-PP024M	132S	180	410	660	405	1065	200	375	315	80	350	280	100	24	4	28	300	284	211	35	85	145	22	90	248	11
5.5	3.7	NTT-PP028M	132S	200	455	720	405	1125	220	410	340	95	400	320	115	30	4	35	300	284	211	35	95	160	25	100	304	13.6
5.5	3.7	NTT-PP032M	132S	225	505	765	406	1170	250	430	360	95	450	370	120	30	4	35	300	284	211	35	110	185	28	116	377	17.6
7.5	5.5	NTT-PP023M	132M	170	390	615	445	1060	190	340	280	80	350	280	100	24	4	28	300	284	211	35	80	135	22	85	244	9.4
7.5	5.5	NTT-PP024M	132M	180	410	660	445	1105	200	375	315	80	350	280	100	24	4	28	300	284	211	35	85	145	22	90	265	11
7.5	5.5	NTT-PP028M	132M	200	455	720	445	1165	220	410	340	95	400	320	115	30	4	35	300	284	211	35	95	160	25	100	321	13.6
7.5	5.5	NTT-PP032M	132M	225	505	765	445	1210	250	430	360	95	450	370	120	30	4	35	300	284	211	35	110	185	28	116	394	17.6
7.5	5.5	NTT-PP036M	132M	250	560	820	445	1265	265	480	400	110	500	410	130	36	4	42	300	284	211	35	130	200	32	137	477	21.6
11	7.5	NTT-PP024M	160M	180	410	690	493	1183	200	375	315	80	350	280	100	24	4	28	350	324	290	52	85	145	22	90	294	11
11	7.5	NTT-PP028M	160M	200	455	750	493	1243	220	410	340	95	400	320	115	30	4	35	350	324	290	52	95	160	25	100	350	13.6
11	7.5	NTT-PP032M	160M	225	505	795	493	1288	250	430	360	95	450	370	120	30	4	35	350	324	290	52	110	185	28	116	423	17.6
11	7.5	NTT-PP036M	160M	250	560	850	493	1343	265	480	400	110	500	410	130	36	4	42	350	324	290	52	130	200	32	137	506	21.6
11	7.5	NTT-PP038M	160M	265	610	925	493	1418	290	490	410	110	530	440	140	36	4	42	350	324	290	52	140	210	36	148	610	26.2
11	7.5	NTT-PP042M	160M	280	650	1005	493	1498	310	570	480	130	580	480	150	42	4	42	350	324	290	52	160	235	40	169	748	35
15	11	NTT-PP028M	160L	200	455	750	533	1283	220	410	340	95	400	320	115	30	4	28	350	324	290	52	95	160	25	100	372	13.6
15	11	NTT-PP032M	160L	225	505	795	533	1328	250	430	360	95	450	370	120	30	4	28	350	324	290	52	110	185	28	116	445	17.6
15	11	NTT-PP036M	160L	250	560	850	533	1383	265	480	400	110	500	410	130	36	4	35	350	324	290	52	130	200	32	137	528	21.6
15	11	NTT-PP038M	160L	265	610	925	533	1458	290	490	410	110	530	440	140	36	4	35	350	324	290	52	140	210	36	148	632	26.2
15	11	NTT-PP042M	160L	280	650	1005	533	1538	310	570	480	130	580	480	150	42	4	42	350	324	290	52	160	235	40	169	770	35
18.5/22	15	NTT-PP032M	180M	225	505	795	566.5	1361.5	250	430	360	95	450	370	120	30	4	28	400	365	310	91	110	185	28	116	480/490	17.6
18.5/22	15	NTT-PP036M	180M	250	560	850	566.5	1416.5	265	480	400	110	500	410	130	36	4	35	400	365	310	91	130	200	32	137	563.5/73	21.6
18.5/22	15	NTT-PP038M	180M	265	610	925	566.5	1491.5	290	490	410	110	530	440	140	36	4	35	400	365	310	91	140	210	36	148	667/678	26.2
18.5/22	15	NTT-PP042M	180M	280	650	1005	566.5	1571.5	310	570	480	130	580	480	150	42	4	42	400	365	310	91	160	235	40	169	805/821	35
18.5/22	15	NTT-PP050M	180M	315	650	1095	566.5	1661.5	360	590	500	130	650	550	160	42	4	48	400	365	310	91	180	265	45	190	1013/1025	52.6
30	18.5/22	NTT-PP036M	180L	250	560	850	604.5	1454.5	265	480	400	110	500	410	130	36	4	35	400	398	325	91	130	200	32	137	645	21.6
30	18.5/22	NTT-PP038M	180L	265	610	925	604.5	1529.5	290	490	410	110	530	440	140	36	4	35	400	398	325	91	140	210	36	148	750	26.2
30	18.5/22	NTT-PP042M	180L	280	650	1005	604.5	1609.5	310	570	480	130	580	480	150	42	4	42	400	398	325	91	160	235	40	169	887	35
30	18.5/22	NTT-PP050M	180L	315	740	1095	604.5	1699.5	360	590	500	130	650	550	160	42	4	48	400	398	325	91	180	265	45	190	1095	52.6
30	18.5/22	NTT-PP056M	180L	365	815	1210	604.5	1814.5	375	675	575	150	700	590	200	42	4	56	400	398	325	91	200	280	45	210	1400	78.8
37	30	NTT-PP038M	200L	265	610	925	662.5	1587.5	290	490	410	110	530	440	140	36	4	35	450	442	350	91	140	210	36	148	829	26.2
37	30	NTT-PP042M	200L	280	650	1005	662.5	1667.5	310	570	480	130	580	480	150	42	4	42	450	442	350	91	160	235	40	169	967	35
37	30	NTT-PP050M	200L	315	740	1095	662.5	1757.5	360	590	500	130	650	550	160	42	4	48	450	442	350	91	180	265	45	190	1175	52.6
37	30	NTT-PP056M	200L	365	815	1210	662.5	1872.5	375	675	575	150	700	590	200	50	4	56	450	442	350	91	200	280	45	210	1400	78.8



Unit : mm

Output(kw)		Model	Motor	H	I	L1	L2	L	R	A	F	A1	B	E	B1	E1	K	n	ØZ	DM	DN	KL	KD	d2	l2	S2	T2	Weight kg Motor 4P	Oil Qty ℓ
4P	6P																												
0.75	0.4	NTQ-PP028M	80	200	455	730	233	963	220	410	340	95	400	320	115	—	30	4	35	200	170	141	22	95	160	25	100	260	14.2
1.5	0.75	NTQ-PP028M	90L	200	455	730	277	1007	220	410	340	95	400	320	115	—	30	4	35	200	200	155	22	95	160	25	100	267	14.2
1.5	0.75	NTQ-PP032M	90L	225	505	770	277	1052	250	430	360	95	450	370	120	—	30	4	35	200	200	155	22	110	185	28	116	340	18.4
2.2	1.5	NTQ-PP028M	100L	200	455	740	306	1046	220	410	340	95	400	320	115	—	30	4	35	250	200	215	27	95	160	25	100	276	14.2
2.2	1.5	NTQ-PP032M	100L	225	505	785	306	1091	250	430	360	95	450	370	120	—	30	4	35	250	200	215	27	110	185	28	116	349	18.4
2.2	1.5	NTQ-PP036M	100L	250	560	840	306	1146	265	480	400	110	500	410	130	—	36	4	42	250	200	215	27	130	200	32	137	431	22.2
2.2	1.5	NTQ-PP038M	100L	265	610	900	306	1206	290	490	410	110	530	440	140	—	36	4	42	250	200	215	27	140	210	36	148	527	26.6
3.7	2.2	NTQ-PP028M	112M	200	455	740	355	1095	220	410	340	95	400	320	115	—	30	4	35	250	226	171	27	95	160	25	100	286	14.2
3.7	2.2	NTQ-PP032M	112M	225	505	785	355	1140	250	430	360	95	450	370	120	—	30	4	35	250	226	171	27	110	185	28	116	360	18.4
3.7	2.2	NTQ-PP036M	112M	250	560	840	355	1195	265	480	400	110	500	410	130	—	36	4	42	250	226	171	27	130	200	32	137	441	22.2
3.7	2.2	NTQ-PP038M	112M	265	610	900	355	1255	290	490	410	110	530	440	140	—	36	4	42	250	226	171	27	140	210	36	148	537	26.6
3.7	2.2	NTQ-PP042M	112M	280	650	1005	355	1360	310	570	480	130	580	480	150	—	42	4	48	250	226	171	27	160	235	40	169	686	35.8
5.5	3.7	NTQ-PP032M	132S	225	505	805	405	1210	250	430	360	95	400	320	120	—	30	4	35	300	284	211	35	110	185	28	116	388	18.4
5.5	3.7	NTQ-PP036M	132S	250	560	860	405	1265	265	480	400	110	500	410	130	—	36	4	42	300	284	211	35	130	200	32	137	470	22.2
5.5	3.7	NTQ-PP038M	132S	265	610	920	405	1325	290	490	410	110	530	440	140	—	36	4	42	300	284	211	35	140	210	36	148	566	26.6
5.5	3.7	NTQ-PP042M	132S	280	650	1025	405	1430	310	570	480	130	580	480	150	—	42	4	48	300	284	211	35	160	235	40	169	715	35.8
5.5	3.7	NTQ-PP050M	132S	315	740	1100	405	1505	360	590	500	130	650	550	160	—	42	4	48	300	284	211	35	180	265	45	190	904	52
7.5	5.5	NTQ-PP036M	132M	250	560	860	445	1305	265	480	400	110	500	410	130	—	36	4	42	300	284	211	35	130	200	32	137	487	22.2
7.5	5.5	NTQ-PP038M	132M	265	610	920	445	1365	290	490	410	110	530	440	140	—	36	4	42	300	284	211	35	140	210	36	148	583	26.6
7.5	5.5	NTQ-PP042M	132M	280	650	1025	445	1470	310	570	480	130	580	480	150	—	42	4	48	300	284	211	35	160	235	40	169	732	35.8
7.5	5.5	NTQ-PP050M	132M	315	740	1100	445	1545	360	590	500	130	650	550	160	—	42	4	48	300	284	211	35	180	265	45	190	921	52
7.5	5.5	NTQ-PP056M	132M	355	815	1200	445	1645	375	675	575	150	700	590	200	—	50	4	56	300	284	211	35	200	280	45	210	1222	78.2
11	7.5	NTQ-PP042M	160M	280	650	1055	493	1548	310	570	480	130	580	480	150	—	42	4	48	350	324	290	52	160	235	40	169	761	35.8
11	7.5	NTQ-PP050M	160M	315	740	1130	493	1623	360	590	500	130	650	550	160	—	42	4	48	350	324	290	52	180	265	45	190	950	52
11	7.5	NTQ-PP052M	160M	355	815	1230	493	1723	375	675	575	150	700	590	200	—	50	4	56	350	324	290	52	200	280	45	210	1251	78.2
11	7.5	NTQ-PP063M	160M	400	930	1385	493	1878	450	700	600	150	820	710	220	—	50	4	56	350	324	290	52	220	325	50	231	1681	100
11	7.5	NTQ-PP071M	160M	450	1030	1460	493	1953	505	700	600	150	880	770	250	120	50	4	56	350	324	290	52	240	335	56	252	2111	126
15	11	NTQ-PP050M	160L	315	740	1130	533	1663	360	590	500	130	650	550	160	—	42	4	48	350	324	290	52	180	265	45	190	972	52
15	11	NTQ-PP056M	160L	355	815	1230	533	1763	375	675	575	150	700	590	200	—	50	4	56	350	324	290	52	200	280	45	210	1273	78.2
15	11	NTQ-PP063M	160L	400	930	1385	533	1918	450	700	600	150	820	710	220	—	50	4	56	350	324	290	52	220	325	50	231	1703	100
15	11	NTQ-PP071M	160L	450	1030	1460	533	1993.5	505	700	600	150	880	770	250	120	50	4	56	350	324	290	52	240	335	56	252	2133	126
15	11	NTQ-PP075M	160L	475	1080	1565	533	2098	535	770	650	175	940	800	280	120	60	8	66	350	324	290	52	260	360	56	272	2613	154
15	11	NTQ-PP080M	160L	500	1130	1610	533	2188	555	800	680	175	1040	900	280	120	60	8	66	350	324	290	52	280	390	63	292	2953	174
18.5/22	15	NTQ-PP050M	180M	315	740	1130	566.5	1696.5	360	590	500	130	650	550	160	—	42	4	48	400	365	310	91	180	265	45	190	1007/1019	52
18.5/22	15	NTQ-PP056M	180M	355	815	1230	566.5	1796.5	375	675	575	150	700	590	200	—	50	4	56	400	365	310	91	200	280	45	210	1308/1318	78.2
18.5/22	15	NTQ-PP063M	180M	400	930	1385	566.5	1951.5	450	700	600	150	820	710	220	—	50	4	56	400	365	310	91	220	325	50	231	1738/1748	100
18.5/22	15	NTQ-PP071M	180M	450	1030	1460	566.5	2026.5	505	700	600	150	880	770	250	120	50	4	56	400	365	310	91	240	335	56	252	2168/2190	126
18.5/22	15	NTQ-PP075M	180M	475	1080	1565	566.5	2131.5	535	770	650	175	940	800	280	120	60	8	66	400	365	310	91	260	360	56	272	2648/2663	154
18.5/22	15	NTQ-PP080M	180M	500	1130	1610	566.5	2176.5	555	800	680	175	1040	900	280	120	60	8	66	400	365	310	91	280	390	63	292	2983/3005	174
18.5/22	15	NTQ-PP085M	180M	530	1210	1720	566.5	2286.5	585	820	700	175	1080	940	300	120	60	8	66	400	365	310	91	300	415	70	314	3505/3517	208
30	18.5/22	NTQ-PP063M	180L	400	930	1385	604.5	1989.5	450	700	600	150	820	710	220	—	50	4	56	400	398	325	91	220	325	50	231	1820	100
30	18.5/22	NTQ-PP071M	180L	450	1030	1460	604.5	2064.5	505	700	600	150	880	770	250	120	50	4	56	400	398	325	91	240	335	56	252	2250	126
30	18.5/22	NTQ-PP075M	180L	475	1080	1565	604.5	2169.5	535	770	650	175	940	800	280	120	60	8	66	400	398	325	91	260	360	56	272	2730	154
30	18.5/22	NTQ-PP080M	180L	500	1130	1610	604.5	2214.5	555	800	680	175	1040	900	280	120	60	8	66	400	398	325	91	280	390	63	292	3070	174
30	18.5/22	NTQ-PP085M	180L	530	1210	1720	604.5	2324.5	585	820	700	175	1080	940	300	120	60	8	66	400	398	325	91	300	415	70	314	3580	208
37	30	NTQ-PP063M	200L	400	930	1385	662.5	2047.5	450	700	600	150	820	710	220	—	50	4	56	450	442	350							