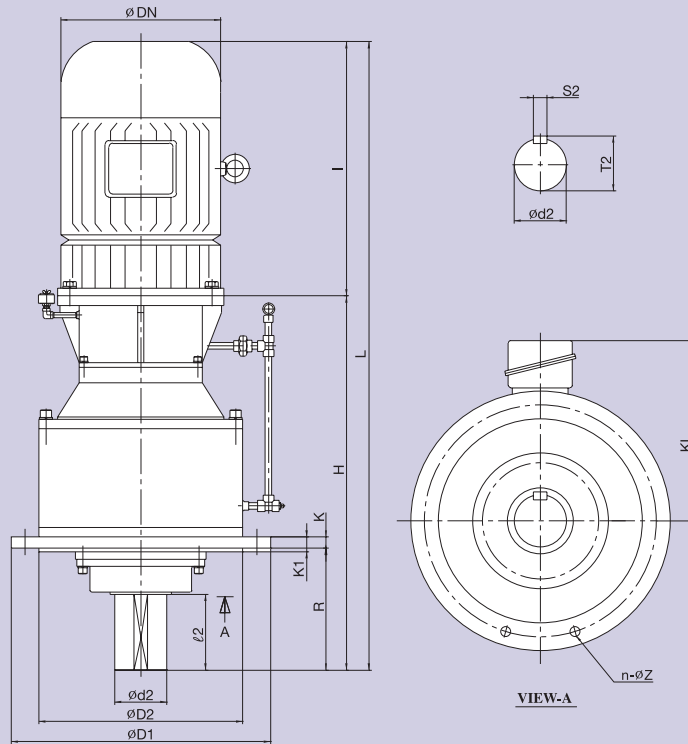


# NTS-PP M Type Flange Mount Dimensions



Ratio: 4.5~7.0



速比-回轉數 (rpm)

速比	4極	6極
4.5	1750-388.9 1450-322.2	1170-260.0 970 -215.6
5.0	1750-350.0 1450-290.0	1170-234.0 970 -194.0
5.6	1750-312.5 1450-258.9	1170-208.9 970 -173.2
6.3	1750-277.8 1450-230.2	1170-185.7 970 -154.0
7.1	1750-246.5 1450-204.2	1170-185.7 970 -136.6

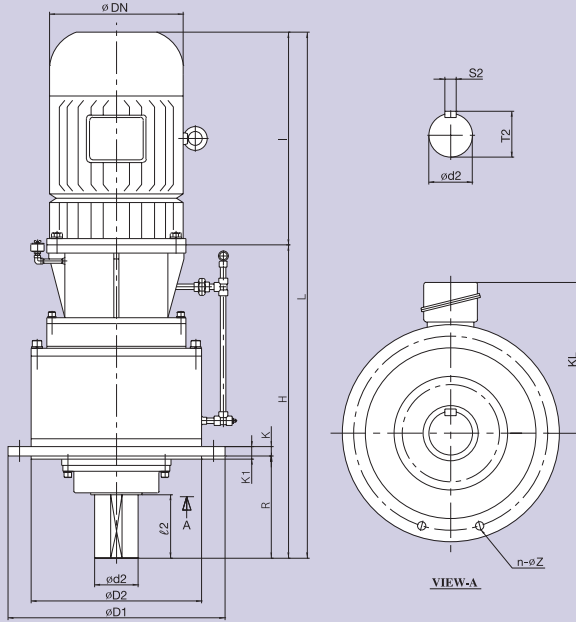
Unit : mm

Output(kw)		Model	Motor	H	I	L	D1	D2	n	$\phi Z$	PC	R	K	K1	DM	DN	KL	KD	d2	$\ell 2$	S2	T2	Weight kg Motor 4P	Oil Qty ℓ
4P	6P																							
<b>3.7</b>	<b>2.2</b>	NTS-PP015M	112M	370	355	725	360	280	8	19	320	140	16	20	250	226	171	27	40	80	12	43	114	4
<b>5.5</b>	<b>3.7</b>	NTS-PP015M	132S	390	405	795	360	280	8	19	320	140	16	20	300	284	211	35	40	80	12	43	143	4
<b>5.5</b>	<b>3.7</b>	NTS-PP016M	132S	395	405	800	360	280	8	19	320	145	16	20	300	284	211	35	50	80	14	53.5	151	4
<b>7.5</b>	<b>5.5</b>	NTS-PP015M	132M	390	445	835	360	280	8	19	320	140	16	20	300	284	211	35	40	80	12	43	157	4
<b>7.5</b>	<b>5.5</b>	NTS-PP016M	132M	395	445	840	360	280	8	19	320	145	16	20	300	284	211	35	40	80	14	53.5	165	4
<b>7.5</b>	<b>5.5</b>	NTS-PP021M	132M	445	445	890	380	310	8	19	340	160	20	24	300	284	211	35	60	110	18	64	182	5
<b>11</b>	<b>7.5</b>	NTS-PP015M	160M	420	493	913	360	280	8	19	320	140	16	20	350	324	290	52	40	80	12	43	186	4
<b>11</b>	<b>7.5</b>	NTS-PP016M	160M	425	493	918	360	280	8	19	320	145	16	20	350	324	290	52	40	80	12	53.5	194	4
<b>11</b>	<b>7.5</b>	NTS-PP021M	160M	475	493	968	360	310	8	19	340	160	20	24	350	324	290	52	60	110	18	64	211	5
<b>11</b>	<b>7.5</b>	NTS-PP022M	160M	520	493	1013	380	310	8	19	340	175	20	24	350	324	290	52	70	120	20	74.5	226	6
<b>15</b>	<b>11</b>	NTS-PP015M	160L	420	533	953	360	280	8	19	320	140	16	20	350	324	290	52	40	80	12	43	208	4
<b>15</b>	<b>11</b>	NTS-PP016M	160L	425	533	958	360	280	8	19	320	140	16	20	350	324	290	52	50	80	14	53.5	216	4
<b>15</b>	<b>11</b>	NTS-PP021M	160L	475	533	1008	380	310	8	19	340	160	20	24	350	324	290	52	60	110	18	64	233	5
<b>15</b>	<b>11</b>	NTS-PP022M	160L	520	533	1053	380	310	8	19	340	175	20	24	350	324	290	52	70	120	20	74.5	248	6
<b>18.5/22</b>	<b>15</b>	NTS-PP015M	180M	420	566.5	986.5	360	280	8	19	340	140	16	20	400	365	310	91	40	80	12	43	240/252	4
<b>18.5/22</b>	<b>15</b>	NTS-PP016M	180M	425	566.5	991.5	360	280	8	19	340	145	16	20	400	365	310	91	50	80	14	53.5	248/260	4
<b>18.5/22</b>	<b>15</b>	NTS-PP021M	180M	475	566.5	1041.5	380	310	8	19	340	160	20	24	400	365	310	91	60	110	18	64	265/277	5
<b>18.5/22</b>	<b>15</b>	NTS-PP022M	180M	520	566.5	1086.5	380	310	8	19	340	175	20	24	400	365	310	91	70	120	20	74.5	280/292	6
<b>18.5/22</b>	<b>15</b>	NTS-PP023M	180M	560	566.5	1126.5	430	340	8	24	390	190	24	30	400	365	310	91	80	135	22	85	312/324	8.5
<b>18.5/22</b>	<b>15</b>	NTS-PP024M	180M	605	566.5	1171.5	430	350	8	24	390	200	24	30	400	365	310	91	80	145	22	90	335/347	10
<b>30</b>	<b>18.5/22</b>	NTS-PP015M	180L	420	604.5	1024.5	360	280	8	19	320	140	16	20	400	398	325	91	40	80	12	43	322	5
<b>30</b>	<b>18.5/22</b>	NTS-PP016M	180L	425	604.5	1029.5	360	280	8	19	320	145	16	20	400	398	325	91	50	80	14	53.5	330	4
<b>30</b>	<b>18.5/22</b>	NTS-PP021M	180L	475	604.5	1079.5	380	310	8	19	340	160	20	24	400	398	325	91	60	110	18	64	347	5
<b>30</b>	<b>18.5/22</b>	NTS-PP022M	180L	520	604.5	1024.5	380	310	8	19	340	175	20	24	400	398	325	91	70	120	20	74.5	362	6
<b>30</b>	<b>18.5/22</b>	NTS-PP023M	180L	560	604.5	1164.5	430	340	8	24	390	190	24	30	400	398	325	91	80	135	22	85	394	8.5
<b>30</b>	<b>18.5/22</b>	NTS-PP024M	180L	605	604.5	1209.5	430	350	8	24	390	200	24	30	400	398	325	91	85	145	22	90	417	10
<b>37</b>	<b>30</b>	NTS-PP015M	200L	420	662.5	1082.5	360	280	8	19	320	140	16	20	450	442	350	91	40	80	12	43	403	4
<b>37</b>	<b>30</b>	NTS-PP016M	200L	425	662.5	1087.5	360	280	8	19	320	145	16	20	450	442	350	91	50	80	14	53.5	411	4
<b>37</b>	<b>30</b>	NTS-PP021M	200L	475	662.5	1037.5	380	310	8	19	340	160	20	24	450	442	350	91	60	110	18	64	428	5
<b>37</b>	<b>30</b>	NTS-PP022M	200L	475	662.5	1082.5	380	310	8	19	340	175	20	24	450	442	350	91	70	120	20	74.5	443	6
<b>37</b>	<b>30</b>	NTS-PP023M	200L	560	662.5	1222.5	430	340	8	24	390	190	24	30	450	442	350	91	80	135	22	85	475	8.5
<b>37</b>	<b>30</b>	NTS-PP024M	200L	650	662.5	1267.5	430	350	8	24	390	200	24	30	450	442	350	91	80	145	22	90	498	10

Ratio : 20~31.5

速比-回轉數 (rpm)

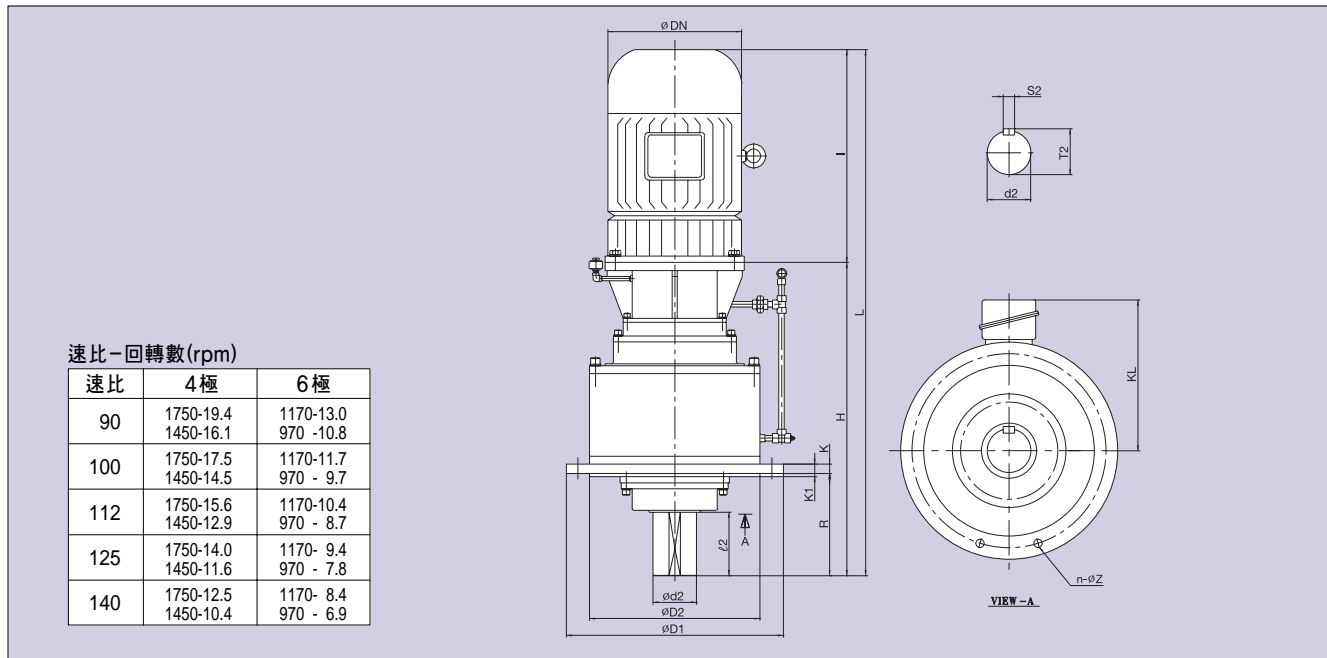
速比	4極	6極
20	1750-87.5 1450-72.5	1170-58.5 970 -48.5
22.4	1750-77.8 1450-64.4	1170-52.2 970 -43.1
25	1750-70.0 1450-58.0	1170-46.8 970 -38.8
28	1750-62.5 1450-51.8	1170-41.8 970 -38.8
31.5	1750-55.6 1450-46.0	1170-37.1 970 -30.8



Unit : mm

Output(kw)		Model	Motor	H	I	L	D1	D2	n	øZ	PCD	R	K	K1	DM	DN	KL	KD	d2	l2	S2	T2	Weight kg Motor 4P	Oil Qty ℓ
4P	6P																							
<b>3.7</b>	<b>2.2</b>	NTD-PP016M	112M	415	355	770	360	280	8	19	320	145	16	20	250	226	171	27	50	80	14	53.5	133	4.6
<b>3.7</b>	<b>2.2</b>	NTD-PP021M	112M	465	355	820	380	310	8	19	340	160	20	24	250	226	171	27	60	110	18	64	143	6.0
<b>5.5</b>	<b>3.7</b>	NTD-PP016M	132S	435	405	840	360	280	8	19	320	145	16	20	300	284	211	35	50	80	14	53.5	162	4.6
<b>5.5</b>	<b>3.7</b>	NTD-PP021M	132S	485	405	890	380	310	8	19	340	160	20	24	300	284	211	35	60	110	18	64	172	6.0
<b>5.5</b>	<b>3.7</b>	NTD-PP022M	132S	540	405	945	380	310	8	19	340	175	20	24	300	284	211	35	70	120	20	74.5	193	7.0
<b>7.5</b>	<b>5.5</b>	NTD-PP016M	132M	535	445	880	360	280	8	19	320	145	16	20	300	284	211	35	50	80	14	53.5	179	4.6
<b>7.5</b>	<b>5.5</b>	NTD-PP021M	132M	485	445	930	380	310	8	19	340	160	20	24	300	284	211	35	60	110	18	64	189	6.0
<b>7.5</b>	<b>5.5</b>	NTD-PP022M	132M	540	445	985	380	310	8	19	340	175	20	24	300	284	211	35	70	120	20	74.5	210	7.0
<b>7.5</b>	<b>5.5</b>	NTD-PP023M	132M	575	445	1020	430	340	8	24	390	190	24	30	300	284	211	35	80	135	22	85	234	9.0
<b>11</b>	<b>7.5</b>	NTD-PP016M	160M	465	493	958	360	280	8	19	320	145	16	20	350	324	290	52	50	80	14	53.5	208	4.6
<b>11</b>	<b>7.5</b>	NTD-PP021M	160M	515	493	1008	380	310	8	19	340	160	20	24	350	324	290	52	60	110	18	64	218	6.0
<b>11</b>	<b>7.5</b>	NTD-PP022M	160M	570	493	1063	380	310	8	19	340	175	20	24	350	324	290	52	70	120	20	74.5	239	7.0
<b>11</b>	<b>7.5</b>	NTD-PP023M	160M	605	493	1098	430	340	8	24	390	190	24	30	350	324	290	52	80	135	22	85	263	9.0
<b>11</b>	<b>7.5</b>	NTD-PP024M	160M	665	493	1158	430	350	8	24	390	200	24	30	350	324	290	52	85	145	22	90	292	10.8
<b>11</b>	<b>7.5</b>	NTD-PP028M	160M	665	493	1158	500	390	8	28	450	220	30	30	350	324	290	52	95	160	25	100	337	12.6
<b>15</b>	<b>11</b>	NTD-PP021M	160L	515	533	948	380	310	8	19	340	160	20	24	350	324	290	52	60	110	18	64	240	6.0
<b>15</b>	<b>11</b>	NTD-PP022M	160L	570	533	1103	380	310	8	19	340	175	20	24	350	324	290	52	70	120	20	74.5	262	7.0
<b>15</b>	<b>11</b>	NTD-PP023M	160L	605	533	1138	430	340	8	24	390	190	24	30	350	324	290	52	80	135	22	85	285	9.0
<b>15</b>	<b>11</b>	NTD-PP024M	160L	665	533	1198	430	350	8	24	390	200	24	30	350	324	290	52	85	145	22	90	314	10.8
<b>15</b>	<b>11</b>	NTD-PP028M	160L	700	533	1233	500	390	8	28	450	220	30	36	350	324	290	52	95	160	25	100	359	12.6
<b>18.5/22</b>	<b>15</b>	NTD-PP022M	180M	570	566.5	1136.5	380	310	8	19	340	175	20	24	400	365	310	91	70	120	20	74.5	296/306	7.0
<b>18.5/22</b>	<b>15</b>	NTD-PP023M	180M	605	566.5	1171.5	430	340	8	24	390	190	24	30	400	365	310	91	80	135	22	85	320/334	9.0
<b>18.5/22</b>	<b>15</b>	NTD-PP024M	180M	665	566.5	1231.5	430	350	8	24	390	200	24	30	400	365	310	91	85	145	22	90	349/362	10.8
<b>18.5/22</b>	<b>15</b>	NTD-PP028M	180M	700	566.5	1266.5	500	390	8	28	450	220	30	36	400	365	310	91	95	160	25	100	394/406	12.6
<b>18.5/22</b>	<b>15</b>	NTD-PP032M	180M	760	566.5	1326.5	560	440	8	28	500	250	30	36	400	365	310	91	110	185	28	116	485/497	18.2
<b>30</b>	<b>18.5/22</b>	NTD-PP023M	180L	605	604.5	1209.5	430	340	8	24	390	190	24	30	400	398	325	91	80	135	22	85	402	9.0
<b>30</b>	<b>18.5/22</b>	NTD-PP024M	180L	665	604.5	1269.5	430	350	8	24	390	200	24	30	400	398	325	91	85	145	22	90	431	10.8
<b>30</b>	<b>18.5/22</b>	NTD-PP028M	180L	700	604.5	1304.5	500	390	8	28	450	220	30	36	400	398	325	91	95	160	25	100	476	12.6
<b>30</b>	<b>18.5/22</b>	NTD-PP032M	180L	760	604.5	1364.5	560	440	8	28	500	250	30	36	400	398	325	91	110	185	28	116	567	18.2
<b>30</b>	<b>18.5/22</b>	NTD-PP036M	180L	830	604.5	1434.5	630	480	8	35	550	265	36	42	400	398	325	91	130	200	32	137	650	22.2
<b>37</b>	<b>30</b>	NTD-PP024M	200L	665	662.5	1327.5	430	350	8	24	390	200	24	30	450	442	350	91	85	145	22	90	511	10.8
<b>37</b>	<b>30</b>	NTD-PP028M	200L	700	662.5	1362.5	500	390	8	28	450	220	30	36	450	442	350	91	95	160	25	100	556	12.6
<b>37</b>	<b>30</b>	NTD-PP032M	200L	760	662.5	1422.5	560	440	8	28	500	250	30	36	450	442	350	91	110	185	28	116	647	18.2
<b>37</b>	<b>30</b>	NTD-PP036M	200L	830	662.5	1492.5	630	480	8	35	550	265	36	42	450	442	350	91	130	200	32	137	730	22.2

# NTT-PP M Type Flange Mount Dimensions

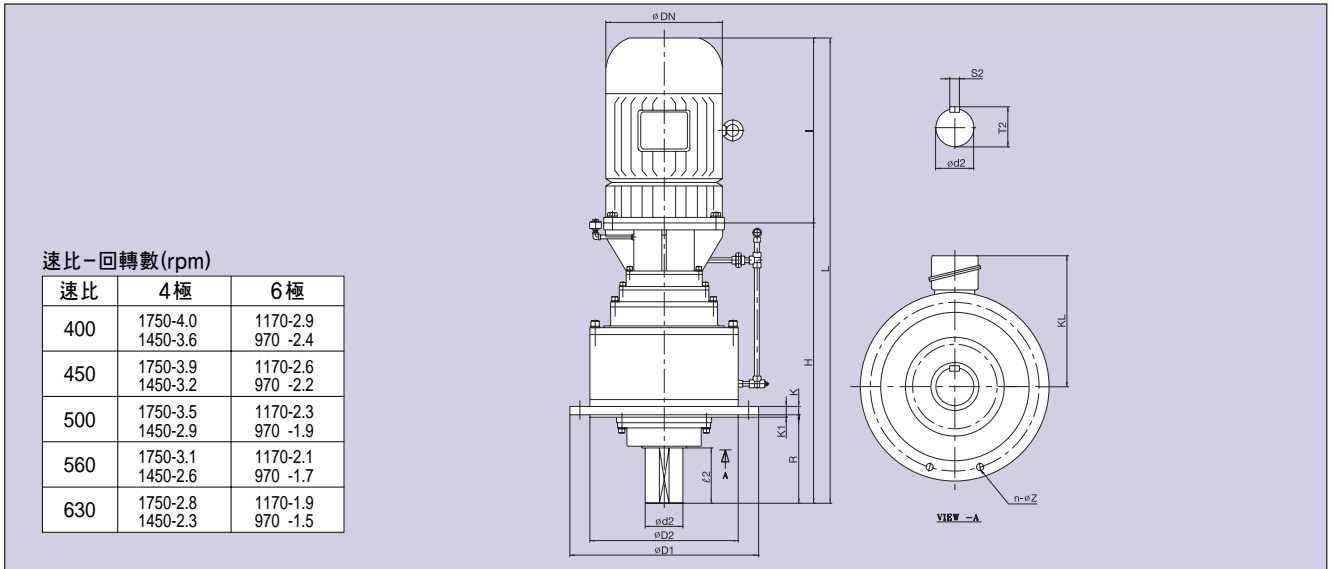


速比-回轉數(rpm)

速比	4極	6極
90	1750-19.4 1450-16.1	1170-13.0 970 - 10.8
100	1750-17.5 1450-14.5	1170-11.7 970 - 9.7
112	1750-15.6 1450-12.9	1170-10.4 970 - 8.7
125	1750-14.0 1450-11.6	1170- 9.4 970 - 7.8
140	1750-12.5 1450-10.4	1170- 8.4 970 - 6.9

Unit : mm

Output(kw)		Model	Motor	H	I	L	D1	D2	n	ØZ	PCD	R	K	K1	DM	DN	KL	KD	d2	l2	S2	T2	Weight kg Motor 4P	Oil Qty l
4P	6P																							
1.5	0.75	NTT-PP023M	90L	585	277	862	430	340	8	24	390	190	24	30	200	200	155	22	80	135	22	85	179	9.4
2.2	1.5	NTT-PP023M	100L	595	306	901	430	340	8	24	390	190	24	30	250	200	215	27	80	135	22	85	188	9.4
2.2	1.5	NTT-PP024M	100L	640	306	946	430	350	8	24	390	200	24	30	250	200	215	27	80	145	22	90	209	11
3.7	2.2	NTT-PP023M	112M	595	355	950	430	340	8	24	390	190	24	30	250	226	171	27	80	135	22	85	200	9.4
3.7	2.2	NTT-PP024M	112M	640	355	995	430	350	8	24	390	200	24	30	250	226	171	27	85	145	22	90	220	11
3.7	2.2	NTT-PP028M	112M	700	355	1055	500	390	8	28	450	220	30	36	250	226	171	27	95	160	22	100	275	13.6
5.5	3.7	NTT-PP023M	132S	615	405	1020	430	340	8	24	390	190	24	30	300	284	211	35	80	135	22	85	227	9.4
5.5	3.7	NTT-PP024M	132S	660	405	1065	430	350	8	24	390	200	24	30	300	284	211	35	85	145	22	90	248	11
5.5	3.7	NTT-PP028M	132S	720	405	1124	500	390	8	28	450	220	30	36	300	284	211	35	95	160	25	100	304	13.6
5.5	3.7	NTT-PP032M	132S	765	405	1170	500	560	8	28	500	250	30	36	300	284	211	35	110	185	28	116	377	17.6
7.5	5.5	NTT-PP023M	132M	615	445	1060	430	340	8	24	390	190	24	30	300	284	211	35	80	135	22	85	244	9.4
7.5	5.5	NTT-PP024M	132M	660	445	1065	430	350	8	24	390	200	24	30	300	284	211	35	85	145	22	90	265	11
7.5	5.5	NTT-PP028M	132M	720	445	1165	500	390	8	28	450	220	30	36	300	284	211	35	95	160	25	100	321	13.6
7.5	5.5	NTT-PP032M	132M	765	445	1210	560	440	8	28	500	250	30	36	300	284	211	35	110	185	28	116	394	17.6
7.5	5.5	NTT-PP036M	132M	820	445	1265	630	480	8	35	550	265	36	42	300	284	211	35	130	200	32	137	477	21.6
11	7.5	NTT-PP024M	160M	690	493	1183	430	350	8	24	390	200	24	30	350	324	290	52	85	145	22	90	294	11
11	7.5	NTT-PP028M	160M	750	493	1243	500	390	8	24	450	220	30	36	350	324	290	52	95	160	25	100	350	13.6
11	7.5	NTT-PP032M	160M	795	493	1288	560	440	8	28	500	250	30	36	350	324	290	52	110	185	28	116	423	17.6
11	7.5	NTT-PP036M	160M	850	493	1343	630	480	8	35	550	265	36	42	350	324	290	52	130	200	32	137	506	21.6
11	7.5	NTT-PP038M	160M	925	493	1418	650	510	8	35	580	290	36	42	350	324	290	52	140	210	36	148	610	26.2
11	7.5	NTT-PP042M	160M	005	493	1498	710	560	8	42	630	310	42	48	350	324	290	52	160	235	40	169	748	35
15	11	NTT-PP028M	160L	750	533	1283	500	390	8	28	450	220	30	36	350	324	290	52	95	160	25	100	372	13.6
15	11	NTT-PP032M	160L	795	533	1328	560	440	8	28	500	250	30	36	350	324	290	52	110	185	28	116	445	17.6
15	11	NTT-PP036M	160L	850	533	1383	630	480	8	35	550	265	36	42	350	324	290	52	130	200	32	137	528	21.6
15	11	NTT-PP038M	160L	925	533	1458	650	510	8	35	580	290	36	42	350	324	290	52	140	210	36	148	632	26.2
15	11	NTT-PP042M	160L	005	533	1538	710	560	8	42	630	310	42	48	350	324	290	52	160	235	40	169	770	35
18.5/22	15	NTT-PP032M	180M	795	566.5	1361.5	560	440	8	28	500	250	30	36	400	365	310	91	110	185	28	116	480/490	17.6
18.5/22	15	NTT-PP036M	180M	850	566.5	1416.2	630	480	8	35	550	265	36	42	350	365	310	91	130	200	32	137	563/573	21.6
18.5/22	15	NTT-PP038M	180M	925	566.5	1491.5	650	510	8	35	580	290	36	42	350	365	310	91	140	210	36	148	667/678	26.2
18.5/22	15	NTT-PP042M	180M	005	566.5	1571.5	710	560	8	42	630	310	42	48	350	365	310	91	160	235	40	169	805/821	35
18.5/22	15	NTT-PP050M	180M	095	566.5	1661.5	800	620	8	42	710	360	42	48	400	365	310	91	180	265	45	190	1013/1025	52.6
30	18.5/22	NTT-PP036M	180L	850	604.5	1454.5	630	480	8	35	550	265	36	42	400	398	325	91	130	200	32	137	645	52.6
30	18.5/22	NTT-PP038M	180L	925	604.5	1529.5	650	510	8	35	580	290	36	42	400	398	325	91	140	210	36	148	750	26.2
30	18.5/22	NTT-PP042M	180L	005	604.5	1609.5	710	560	8	42	630	310	42	48	400	398	325	91	160	235	40	169	887	35
30	18.5/22	NTT-PP050M	180L	095	604.5	1699.5	800	620	8	42	710	360	42	48	400	398	325	91	180	265	45	190	1095	52.6
30	18.5/22	NTT-PP056M	180L	210	604.5	1814.5	900	690	8	48	800	375	48	56	400	398	325	91	200	280	45	210	1400	78.8
37	30	NTT-PP038M	200L	925	662.5	1587.5	650	510	8	35	580	290	36	42	450	442	350	91	140	210	36	148	829	26.2
37	30	NTT-PP042M	200L	005	662.5	1667.5	710	560	8	42	630	310	42	48	450	442	350	91	160	235	40	169	967	35
37	30	NTT-PP050M	200L	095	662.5	1757.5	800	620	8	42	710	360	42	48	450	442	350	91	180	265	45	190	1175	52.6
37	30	NTT-PP056M	200L	210	662.5	1872.5	900	690	8	48	800	375	48	56	450	442	350	91	200	280	45	210	1400	78.8



速比-回轉數(rpm)

速比	4極	6極
400	1750-4.0	1170-2.9
	1450-3.6	970 -2.4
450	1750-3.9	1170-2.6
	1450-3.2	970 -2.2
500	1750-3.5	1170-2.3
	1450-2.9	970 -1.9
560	1750-3.1	1170-2.1
	1450-2.6	970 -1.7
630	1750-2.8	1170-1.9
	1450-2.3	970 -1.5

Unit : mm

Output(kw)		Model	Motor	H	I	L	D1	D2	n	ØZ	PCD	R	K	K1	DM	DN	KL	KD	d2	ℓ2	S2	T2	Weight kg Motor 4P	Oil Qty ℓ
4P	6P																							
0.75	0.4	NTQ-PP028M	80	73	233	963	500	390	8	28	450	220	30	36	200	170	141	22	95	160	25	100	260	14.2
1.5	0.75	NTQ-PP028M	90L	73	277	1007	500	390	8	28	450	220	30	36	200	200	155	22	95	160	25	100	267	14.2
1.5	0.75	NTQ-PP032M	90L	77	277	1052	550	440	8	28	500	250	30	36	200	200	155	22	110	185	28	116	340	18.4
2.2	1.5	NTQ-PP028M	100L	74	306	1046	500	390	8	28	450	220	30	36	250	200	215	27	95	160	25	100	276	14.2
2.2	1.5	NTQ-PP032M	100L	78	306	1091	560	440	8	28	500	250	30	36	250	200	215	27	110	185	28	116	349	18.4
2.2	1.5	NTQ-PP036M	100L	84	306	1146	630	480	8	35	550	265	36	42	250	200	215	27	130	200	32	137	431	22.2
2.2	1.5	NTQ-PP038M	100L	90	306	1206	650	510	8	35	580	290	36	42	250	200	215	27	140	210	36	148	527	26.6
3.7	2.2	NTQ-PP028M	112M	74	355	1095	500	390	8	28	450	220	30	36	250	226	171	27	95	160	25	100	286	14.2
3.7	2.2	NTQ-PP032M	112M	78	355	1140	560	440	8	28	500	250	30	36	250	226	171	27	110	185	28	116	360	18.4
3.7	2.2	NTQ-PP036M	112M	84	355	1195	630	480	8	35	550	265	36	42	250	226	171	27	130	200	32	137	441	22.1
3.7	2.2	NTQ-PP038M	112M	90	355	1255	650	510	8	35	580	290	36	42	250	226	171	27	140	210	36	148	537	26.6
3.7	2.2	NTQ-PP042M	112M	1005	355	1360	710	560	8	42	630	310	42	48	300	284	211	35	160	235	40	169	686	35.8
5.5	3.7	NTQ-PP032M	132S	80	405	1210	560	440	8	28	500	250	30	36	300	284	211	35	110	185	28	116	388	18.4
5.5	3.7	NTQ-PP036M	132S	86	405	1265	630	480	8	35	550	265	36	42	300	284	211	35	130	200	32	137	470	22.2
5.5	3.7	NTQ-PP038M	132S	92	405	1325	650	510	8	35	580	290	36	42	300	284	211	35	140	210	36	148	566	26.6
5.5	3.7	NTQ-PP042M	132S	1025	405	1430	710	560	8	42	630	310	42	48	300	284	211	35	160	235	40	169	715	35.8
5.5	3.7	NTQ-PP050M	132S	1100	405	1505	800	620	8	42	710	360	42	48	300	284	211	35	180	265	45	190	904	52
7.5	5.5	NTQ-PP036M	132M	86	445	1305	630	480	8	35	550	265	36	42	300	284	211	35	130	200	32	137	487	22.2
7.5	5.5	NTQ-PP038M	132M	92	445	1365	650	510	8	35	580	290	36	42	300	284	211	35	140	210	36	148	583	26.6
7.5	5.5	NTQ-PP042M	132M	1025	445	1470	710	560	8	42	630	310	42	48	300	284	211	35	160	235	40	169	732	35.8
7.5	5.5	NTQ-PP050M	132M	1100	445	1545	800	620	8	42	710	360	42	48	300	284	211	35	180	265	45	190	921	52
7.5	5.5	NTQ-PP056M	132M	1200	445	1645	900	690	8	48	800	375	48	56	300	284	211	35	200	280	45	210	1222	78.2
11	7.5	NTQ-PP042M	160M	1055	493	1548	710	560	8	42	630	310	42	48	350	324	290	52	160	235	40	169	761	35.8
11	7.5	NTQ-PP050M	160M	1130	493	1623	800	620	8	42	710	360	42	48	350	324	290	52	180	265	45	190	950	52
11	7.5	NTQ-PP056M	160M	1230	493	1723	900	690	8	48	800	375	48	56	350	324	290	52	200	280	45	210	1251	78.2
11	7.5	NTQ-PP063M	160M	1385	493	1878	1000	800	8	48	900	450	48	56	350	324	290	52	220	325	50	231	1681	100
11	7.5	NTQ-PP071M	160M	1460	493	1953	1120	880	2	48	000	505	48	56	350	324	290	52	240	252	56	252	2111	126
15	11	NTQ-PP050M	160L	1130	533	1663	800	620	8	42	710	360	42	48	350	324	290	52	180	265	45	190	972	52
15	11	NTQ-PP056M	160L	1230	533	1763	900	690	8	48	800	375	48	56	350	324	290	52	200	280	45	210	1273	78.2
15	11	NTQ-PP063M	160L	1385	533	1918	1000	800	8	48	900	450	48	56	350	324	290	52	220	325	50	231	1703	100
15	11	NTQ-PP071M	160L	1460	533	1993.5	1120	880	2	48	000	505	48	56	350	324	290	52	240	335	56	252	2133	126
15	11	NTQ-PP075M	160L	1565	533	2098	1180	950	2	56	070	535	56	64	350	324	290	52	260	360	56	272	2613	154
15	11	NTQ-PP080M	160L	1610	533	2188	1250	1020	2	56	140	555	56	64	350	324	290	52	280	390	63	292	2953	174
18.5/22	15	NTQ-PP050M	180M	1130	566.5	1696.5	800	620	8	42	710	360	42	48	400	365	310	91	180	265	45	190	1007/1019	52
18.5/22	15	NTQ-PP056M	180M	1230	566.5	1796.5	900	690	8	48	800	375	48	56	400	365	310	91	200	280	45	210	1308/1318	78.2
18.5/22	15	NTQ-PP063M	180M	1385	566.5	1951.5	1000	800	8	48	900	450	48	56	400	365	310	91	220	325	50	231	1738/1748	100
18.5/22	15	NTQ-PP071M	180M	1460	566.5	2026.5	1120	880	2	48	000	505	48	56	400	365	310	91	240	335	56	252	2168/2190	126
18.5/22	15	NTQ-PP075M	180M	1565	566.5	2131.5	1180	950	2	56	070	535	56	64	400	365	310	91	260	360	56	272	2648/2663	154
18.5/22	15	NTQ-PP070M	180M	1610	566.5	2176.5	1250	1020	2	56	140	555	56	64	400	365	310	91	280	390	63	292	2983/3005	174
18.5/22	15	NTQ-PP085M	180M	1720	566.5	2286.5	1320	1100	2	56	200	585	56	64	400	365	310	91	300	415	70	314	3505/3517	208
30	18.5/22	NTQ-PP063M	180L	1385	604.5	1989.5	1000	800	8	48	900	450	48	56	400	398	325	91	220	325	50	231	1820	100
30	18.5/22	NTQ-PP071M	180L	1460	604.5	2064.5	1120	880	2	48	000	505	48	56	400	398	325	91	240	335	56	252	2250	126
30	18.5/22	NTQ-PP075M	180L	1565	604.5	2169.5	1180	950	2	56	070	535	56	64	400	398	325	91	260	360	56	272	2730	154
30	18.5/22	NTQ-PP080M	180L	1610	604.5	2214.5	1250	1020	2	56	140	555	56	64	400	398	325	91	280	390	63	292	3070	174
30	18.5/22	NTQ-PP085M	180L	1720	604.5	2324.5	1320	1100	2	56	200	585	56	64	400	398	325	91	300	415	70	314	3580	208
37	30	NTQ-PP063M	200L	1385	662.5	2047.5	1000	800	8	48	900	450	48	56	450	442	350	91	220	325	50	231	1900	100
37	30	NTQ-PP071M	200L	1460	662.5	2122.5	1120	880	2	48	000	505	48	56	450	442	350	91	240	335	56	252	2330	126
37	30	NTQ-PP075M	200L	1565	662.5	2227.5	1180	950	2	56	070	535	56	64	450	442	350	91	260	360	56	272	2810	154
37	30	NTQ-PP080M	200L	1610	662.5	2272.5	1250	1020	2	56	140	555	56	64	450	442	350	91	280	390	63	292	3150	174
37	30	NTQ-PP085M	200L	1720	662.5	2382.5	1320	1100	2	56	200	585	56	64	450	442	350	91	300	415	70	314	3660	208